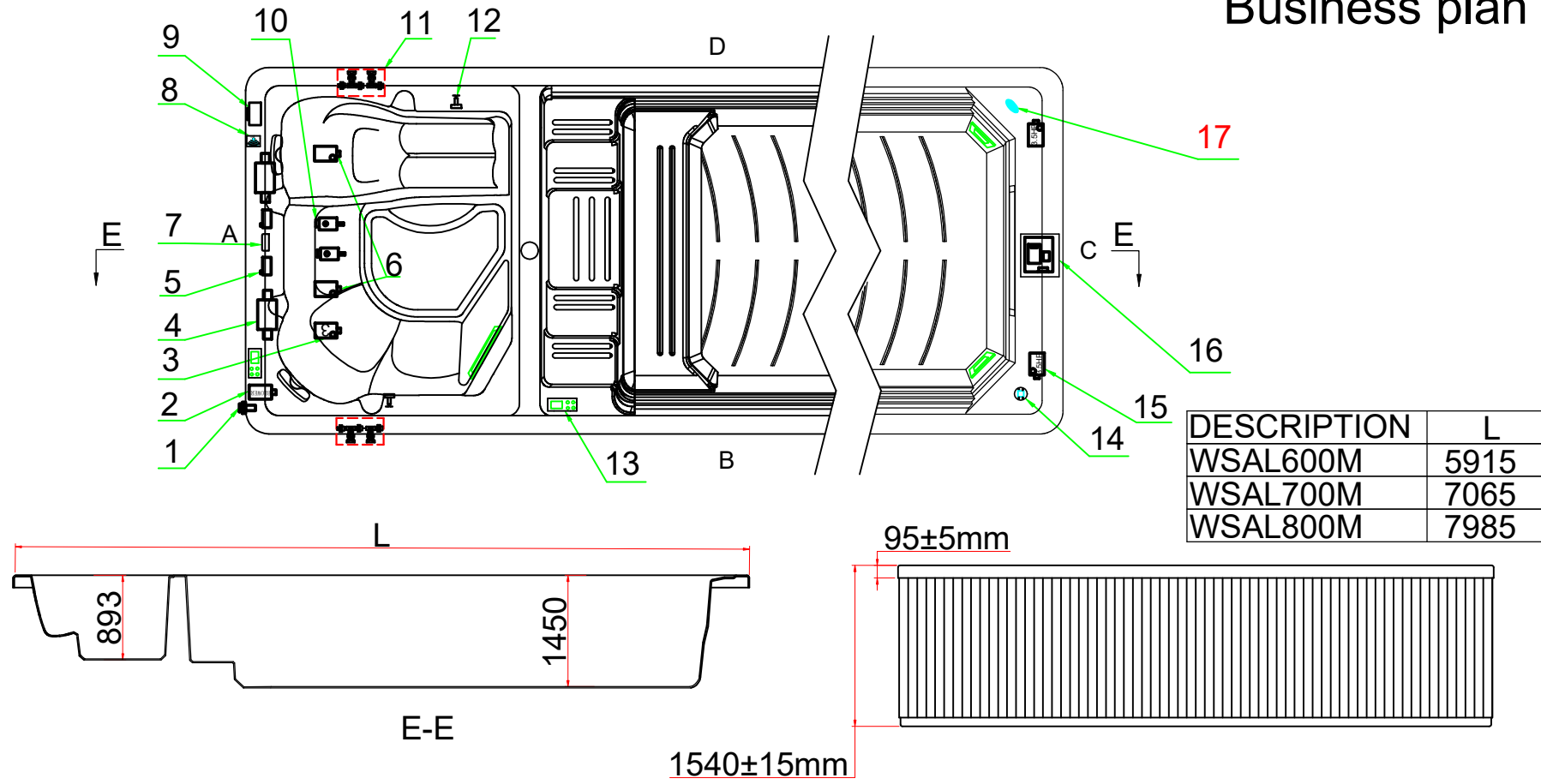


WSAL700M-F

Business plan

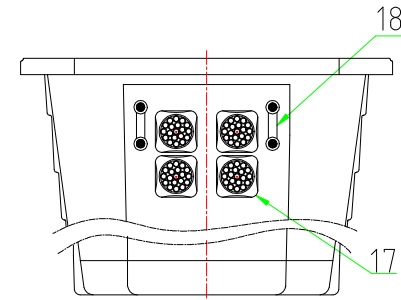
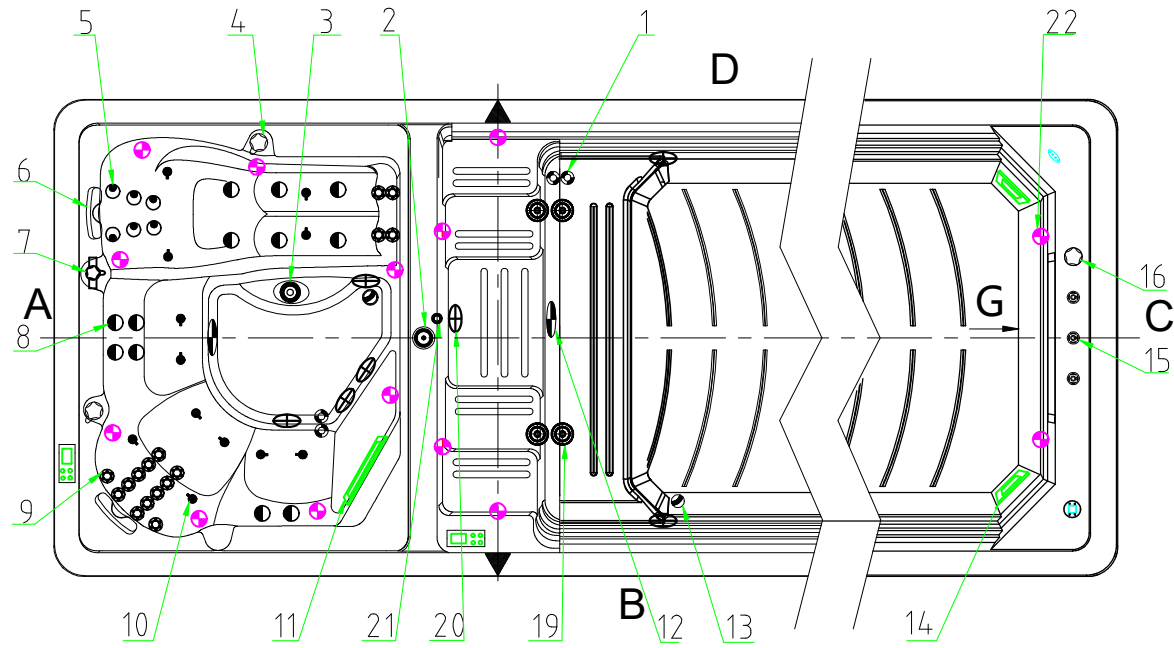


DESCRIPTION	L
WSAL600M	5915
WSAL700M	7065
WSAL800M	7985

Notes: Due to manufacturing tolerances, there could be some minor differences between the actual spa and the drawing above. If site planning is critical to such tolerances, be sure to measure your actual spa. All specifications are subject to change without notice. Some components may be optional on your spa.

12		Transducer Speaker(Optional)	2	pcs
11		Heat Pump Ready Unit(Optional)	2	pcs
10		Circulation Pump	2	pcs
9		Subwoofer(Optional)	1	pcs
8		WiFi	2	pcs
7		C.Stream(Optional)	1	pcs
6		2HP Single Speed Pump	2	pcs
5		CD Ozone Generator	2	pcs
4		Control Box	2	pcs
3		3HP Single Speed Pump	1	pcs
2		Blower	1	pcs
1		Drain Valve	2	pcs

17		Subsidiary Control Panel	1	pcs
16		INVERTER SYSTEM	1	pcs
15		3.5HP INVERTER PUMP	2	pcs
14		Frequency conversion panel	1	pcs
13		Control Panel	2	pcs

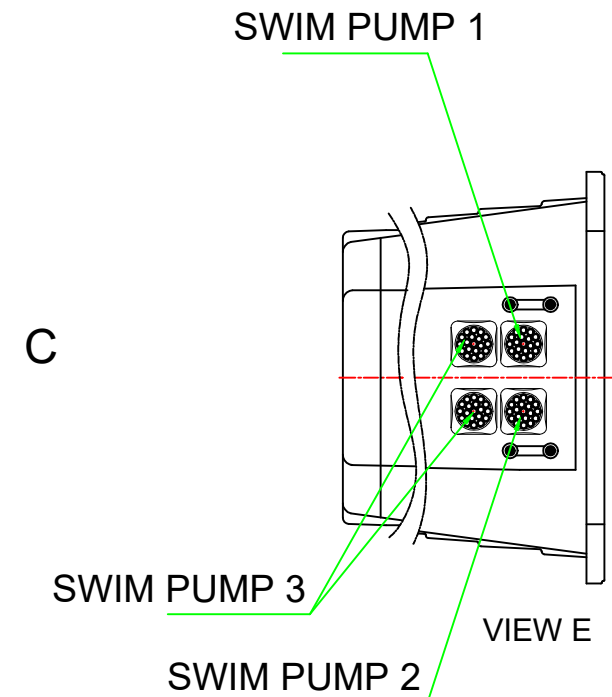
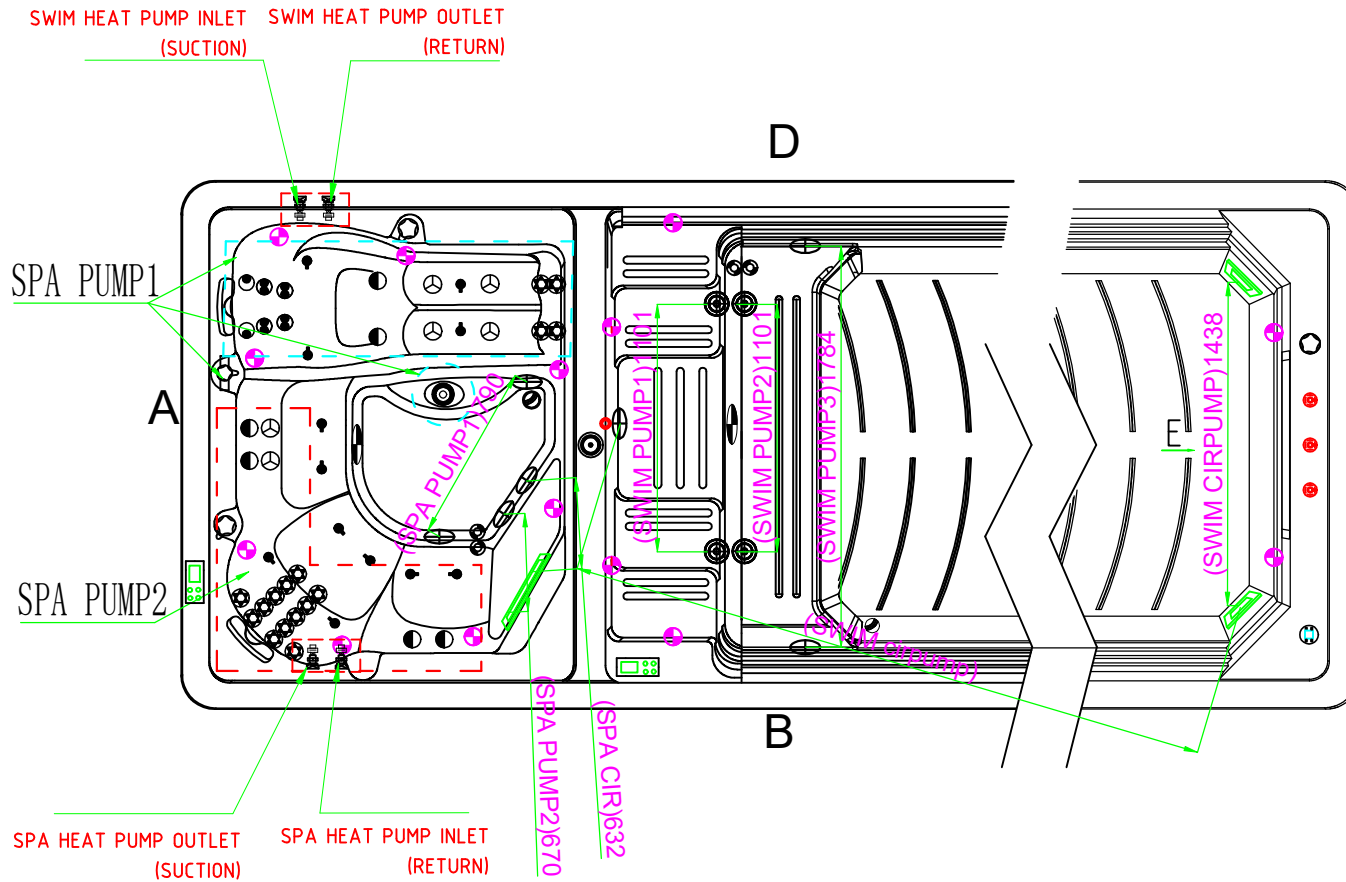


VERSION G

Notes: Due to manufacturing tolerances, there could be some minor differences between the actual spa and the drawing above. If site planning is critical to such tolerances, be sure to measure your actual spa. All specifications are subject to change without notice. Some components may be optional on your spa.

22	⊕	Perimeter LED	WSAL800M	26	pcs	12		5 inch Light Housing Without Holder	2	pcs
			WSAL700M	24	pcs	11		Twin Cilinder Skimmer	1	pcs
			WSAL600M	22	pcs	10		1" Air Injector Assembly-Multi-flow-S.S face	12	pcs
21	●	Large Face 1 inch Direct Jet Insert	1	pcs	9		2.5 inch Jet Internal-Directional	16	pcs	
20	⊕	2 inch Suction (Full Set)	7	pcs	8		3 inch Jet Internal-Single Spin	12	pcs	
19	⊕	3" Suction	4	pcs	7		2 inch Water Diverter Valve	1	pcs	
18		Handrail	2	pcs	6		Headrest	2	pcs	
17		3 inch Turbo Jet	4	pcs	5		4 inch Jet Internal-Single Spin	6	pcs	
16	○	Fountain Valve	1	pcs	4		1 inch Air Check Valve Assembly	2	pcs	
15	⊕	Lifting Fountain	3	pcs	3		7 Alpha Jet Face-Foot Massage	1	pcs	
14		Single Cilinder Skimmer	2	pcs	2		Swim Base	1	pcs	
13		Star-Shape SS Bottom Drain	2	pcs	1		Ozone Injector	4	pcs	
NO	ICON	DESCRIPTION	QTY	UNIT	NO	ICON	DESCRIPTION	QTY	UNIT	

Therapy Assignment



Notes: Due to manufacturing tolerances, there could be some minor differences between the actual spa and the drawing above. If site planning is critical to such tolerances, be sure to measure your actual spa. All specifications are subject to change without notice. Some components may be optional on your spa.